

Feature:

1. fire proof structure
2. using upright platform of ISO 5211 actuator
3. anti-static device is equipped between the valve ball and valve body
4. anti-stripping design for valve stem
5. double Stem Packing design which conforms to German Tüv standard
6. double butterfly shrapnel automatic compaction packing design
7. Dewaxing Precision Casting
8. Pressure balancing hole on steel ball
9. valve chamber cleaning device on the valve body

• **Options:** 1. actuator 2. limit switch 3. limiter

NO.	Part Name	ANSI / JIS / DIN / GB	ANSI / JIS / DIN / GB	ANSI / JIS / DIN / GB
1	valve body	A351-CF8M/SCS14A/1.4408	A351-CF8/SCS13A/1.4308	A216-WCB/SCPH2/1.0619
2	valve cap	A351-CF8M/SCS14A/1.4408	A351-CF8/SCS13A/1.4308	A216-WCB/SCPH2/1.0619
3	valve ball	A351-CF8M/SCS14A/1.4408	A351-CF8/SCS13A/1.4308	A351-CF8/SCS13A/1.4308
4	valve seat	TFM1600 / PTFE / RTFE		
5	seat ring	TFM1600 / PTFE / 316 SPIRAL WOUND+GRAFOIL*		
6	anti-static device	A193-B8	A193-B8	A193-B7
7	valve stem	316	316	304
8	thrust washer	316	316	304
9	stem packing	PTFE		
10	sealing bush	50%SS+50%PTFE / 304		
11	gland	316		
12	butterfly gasket	301		
13	stem nut	A194-8		
14	positioning lock cap	304		
15	bolt	A193-B8	A193-B8	A193-B7

PN16~PN40 Product dimensions

Unit:mm

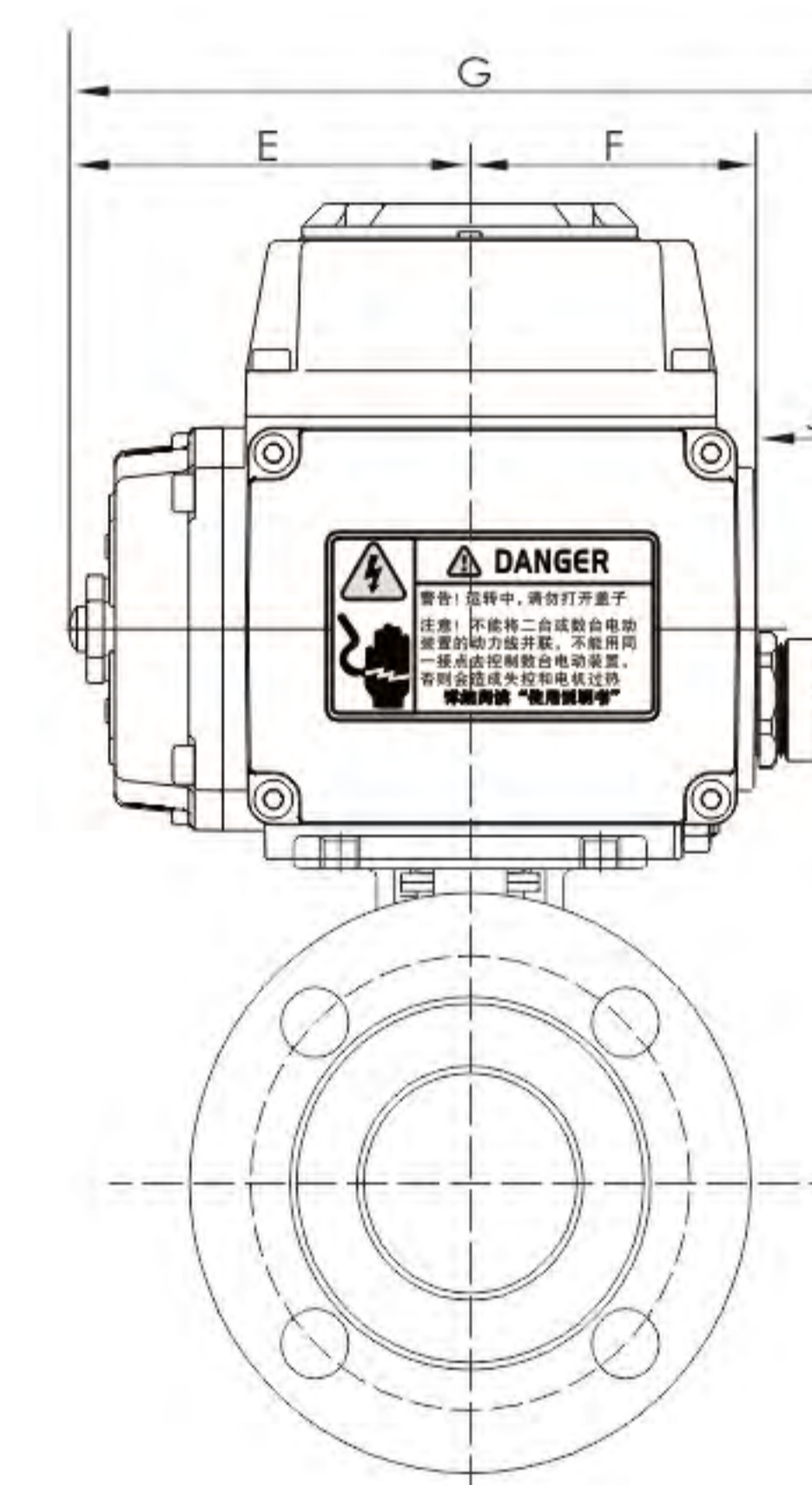
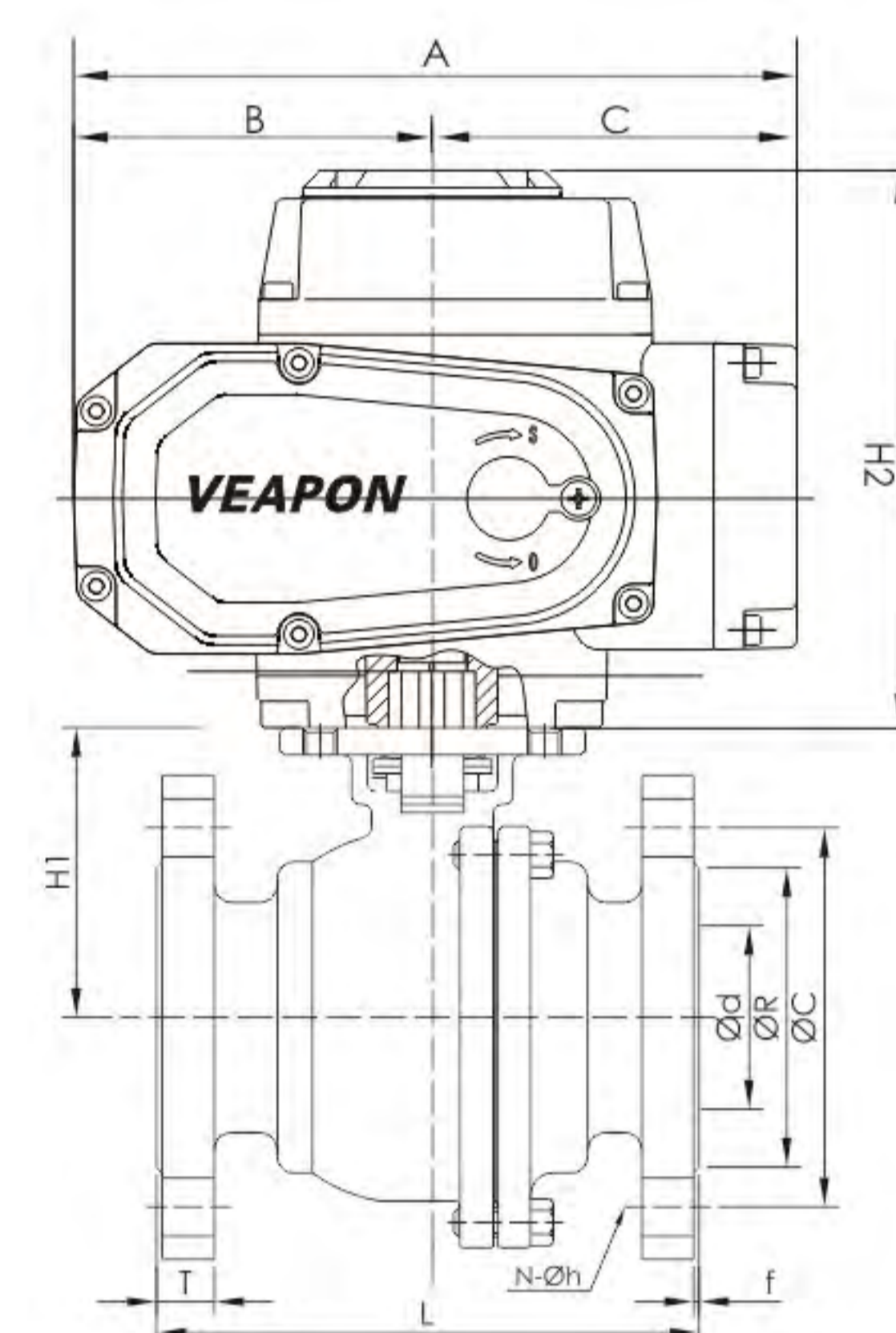
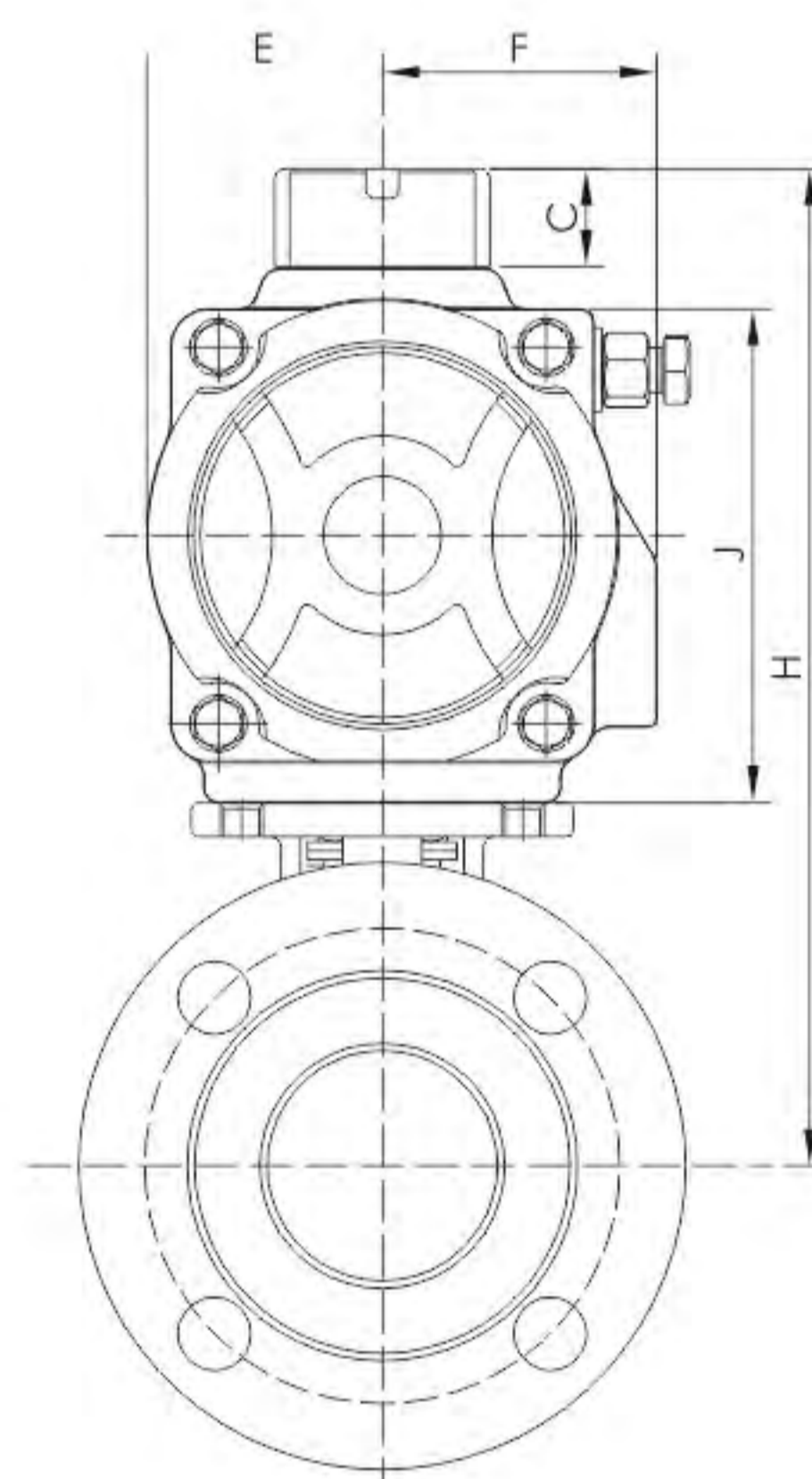
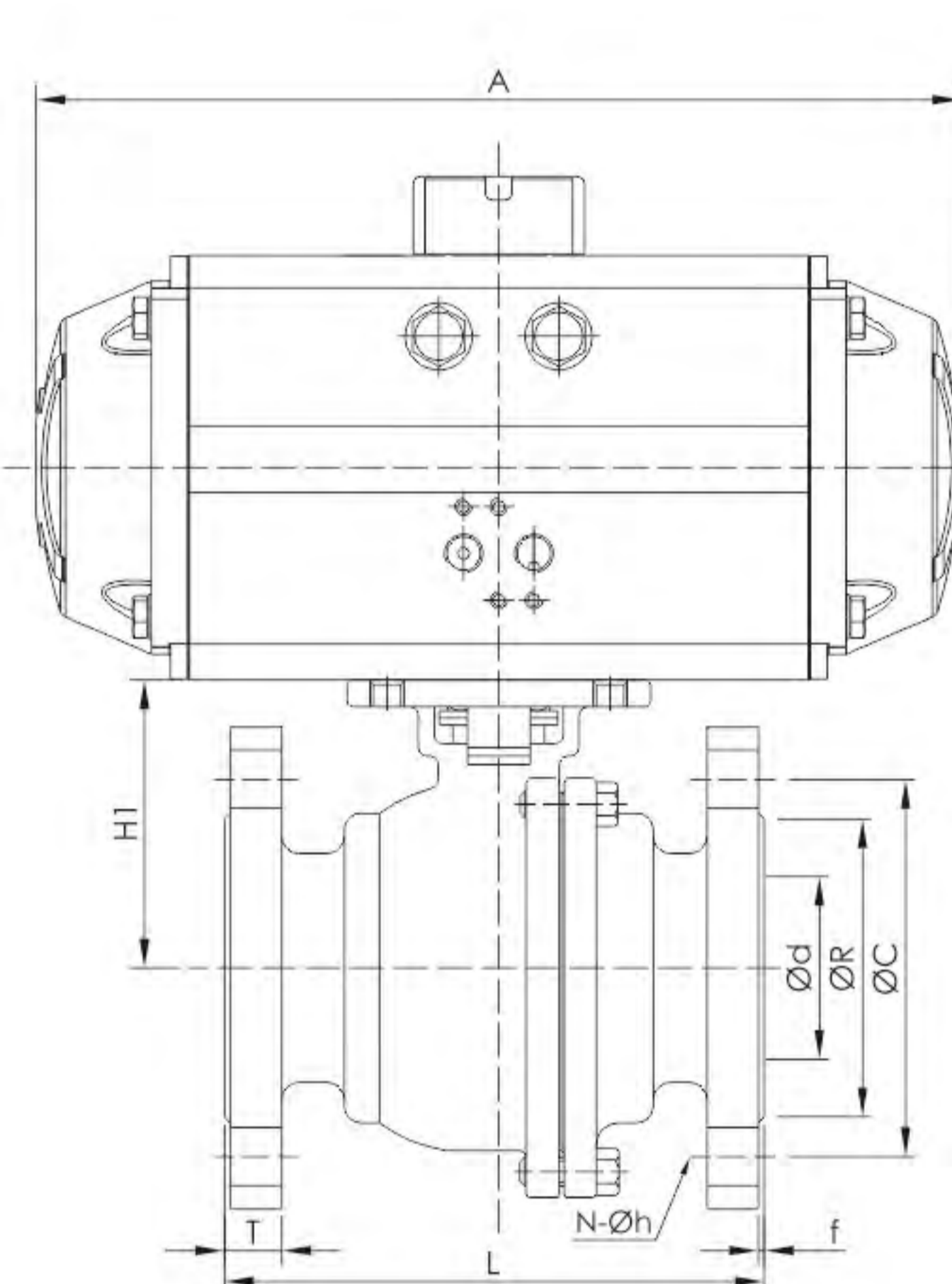
PRODUCT SIZE	ISO	□	P	M	ØB1	ØB2	ØA1	ØA2	L	Ød	ØR	ØC	ØC (25/40)	ØD	ØD (25/40)	T	T (25/40)	f	N-Øh	N-Øh (25/40)	H
DN15	1/2"	F03-04	9	9	36	42	6	6	130	15	45	65	65	95	95	16	16	2	4-14	4-14	48
DN20	3/4"	F03-04	9	9	36	42	6	6	130	20	58	75	75	105	105	18	18	2	4-14	4-14	53
DN25	1"	F04-05	11	11	42	50	6	7	140	25	68	85	85	115	115	18	18	2	4-14	4-14	58.5
DN32	1 1/4"	F04-05	11	11	42	50	6	7	165	32	78	100	100	140	140	18	18	2	4-18	4-18	71
DN40	1 1/2"	F05-07	14	14	50	70	7	9	165	38	88	110	110	150	150	18	18	3	4-18	4-18	76
DN50	2"	F05-07	14	14	50	70	7	9	203	50	102	125	125	165	165	20	20	3	4-18	4-18	85
DN65	2 1/2"	F07-10	17	17	70	102	9	11	222	65	122	145	145	185	185	18	22	3	8-18	8-18	101.5
DN80	3"	F07-10	17	17	70	102	9	11	241	76	138	160	160	200	200	20	24	3	8-18	8-18	111.5
DN100	4"	F10	22	22	N/A	102	N/A	11	305	100	158	180	190	220	235	20	24	3	8-18	8-22	140
DN125	5"	F12	27	27	125	N/A	14	N/A	356	125	188	210	220	250	270	22	26	3	8-18	8-26	183
DN150	6"	F12	27	27	125	N/A	14	N/A	394	150	212	240	250	285	300	22	28	3	8-22	8-26	204
DN200	8"	F12/14	27	27	125	140	14	18	457	200	268	295	310 320	340	360 375	24	30 34	3	12-22	12-26	252.5

Basic parameters for pneumatic flanged ball valve :

pneumatic actuator: double acting type DA32-DA350, spring return type SR32-SR350
rotation angle: standard type 0°-90°, adjustable two ends limit type 0°-90°-120°-180°, optional three-stage type 0°-90°-180°
design standard: the actuator conforms to EU EN15714-3 standard; the connecting dimensions conform to ISO 5211-DIN3337 standard; the air interface conform to NAMUR standard.
optional accessories: limit switch, solenoid valve, locator, Hand operator, air filter.
nominal diameter: DN15-DN500 (1/2"-20")
nominal pressure: PN16, PN25, PN40
valve body and valve ball material: CF8, CF8M, CF3M, WCB, 2205
seal material: PTFE, RPTFE, PPL, NBR, VITON

Basic parameters for electric flanged ball valve :

electric actuator: on-off type VP0050-VP2000, regulation type VP0050E-VP-2000E.
rotation angle: standard type (0°-90°)±5°
power supply voltage: AC220V, DC24V, AC380V, AC110V, AC440V
input signal: 4-20mA, 0-10mA, 1-5V DC, 2-10V DC
feedback signal: active contact, passive contact
nominal diameter: DN15-DN500
nominal pressure: PN16, PN25, PN40
valve body and valve ball material: CF8, CF8M, CF3M, WCB, 2205
seal material: PTFE, RPTFE, PPL, NBR, VITON



PN16~PN40 Product dimensions

Unit:mm

PRODUCT SIZE	L	Ød	ØR	ØC	ØC (25/40)	ØD	ØD (25/40)	T	T (25/40)	f	N-Øh	N-Øh (25/40)	H1	H	A	E	F	C	J	
DN15	1/2"	130	15	45	65	65	95	95	16	16	2	4-14	4-14	48	137	140.5	29	41.5	20	69
DN20	3/4"	130	20	58	75	75	105	105	18	18	2	4-14	4-14	53	142	140.5	29	41.5	20	69
DN25	1"	140	25	68	85	85	115	115	18	18	2	4-14	4-14	58.5	147.5	140.5	29	41.5	20	69
DN32	1 1/4"	165	32	78	100	100	140	140	18	18	2	4-18	4-18	71	176	158.5	36	47	20	85
DN40	1 1/2"	165	38	88	110	110	150	150	18	18	3	4-18	4-18	76	198	210.5	42.5	52	20	102
DN50	2"	203	50	102	125	125	165	165	20	20	3	4-18	4-18	85	230	247.5	49.5	56.8	30	115
DN65	2 1/2"	222	65	122	145	145	185	185	18	22	3	8-18	8-18	101.5	258.5	268.5	56	67	30	127
DN80	3"	241	76	138	160	160	200	200	20	24	3	8-18	8-18	111.5	286.5	315.5	64	77	30	145
DN100	4"	305	100	158	180	190	220	235	20	24	3	8-18	8-22	140	347	408.5	80	91.5	30	177
DN125	5"	356	125	188	210	220	250	270	22	26	3	8-18	8-26	183	429	437.5	88	99	50	196
DN150	6"	394	150	212	240	250	285	300	22	28	3	8-22	8-26	204	474.5	487	99	105	50	220.5
DN200	8"	457	200	268	295	310/320	340	360/375	24	30/34	3	12-22	12-26/12-30	252.5	547.5	543	110	112	50	245

PN16~PN40 Product dimensions

Unit:mm

PRODUCT SIZE	L	Ød	ØR	ØC	ØC (25/40)	ØD	ØD (25/40)	T	T (25/40)	f	N-Øh	N-Øh (25/40)	H1	H2	A	B	C	E	F	G	J	
DN15	1/2"	130	15	45	65	65	95	95	16	16	2	4-14	4-14	48	137.5	165	82	83	70	50.5	140.5	20
DN20	3/4"	130	20	58	75	75	105	105	18	18	2	4-14	4-14	53	137.5	165	82	83	70	50.5	140.5	20
DN25	1"	140	25	68	85	85	115	115	18	18	2	4-14	4-14	58.5	137.5	165	82	83	70	50.5	140.5	20
DN32	1 1/4"	165	32	78	100	100	140	140	18	18	2	4-18	4-18	71	137.5	165	82	83	70	50.5	140.5	20
DN40	1 1/2"	165	38	88	110	110	150	150	18	18	3	4-18	4-18	76	168.5	211.5	97.5	114	77	57	154	20
DN50	2"	203	50	102	125	125	165	165	20	20	3	4-18	4-18	85	168.5	211.5	97.5	114	77	57	154	20
DN65	2 1/2"	222	65	122	145	145	185	185	18	22	3	8-18	8-18	101.5	203	259	124	135	103	63	186	20
DN80	3"	241	76	138	160	160	200	200	20	24	3	8-18	8-18	111.5	203	259	124	135	103	63	186	20
DN100	4"	305	100	158	180	190	220	235	20	24	3	8-18	8-22	140	203	259	124	135	103	63	186	20
DN125	5"	356	125	188	210	220	250	270	22	26	3	8-18	8-26	183	203	259	124	135	103	63	186	20
DN150	6"	394	150	212	240	250	285	300	22	28	3	8-22	8-26	204	229.5	283.5	129.6	154	107.5	65.5	193	20
DN200	8"	457	200	268	295	310/320	340	360/375	24	30/34	3	12-22	12-26/12-30	252.5	229.5	283.5	129.6	154	107.5	65.5	193	20